

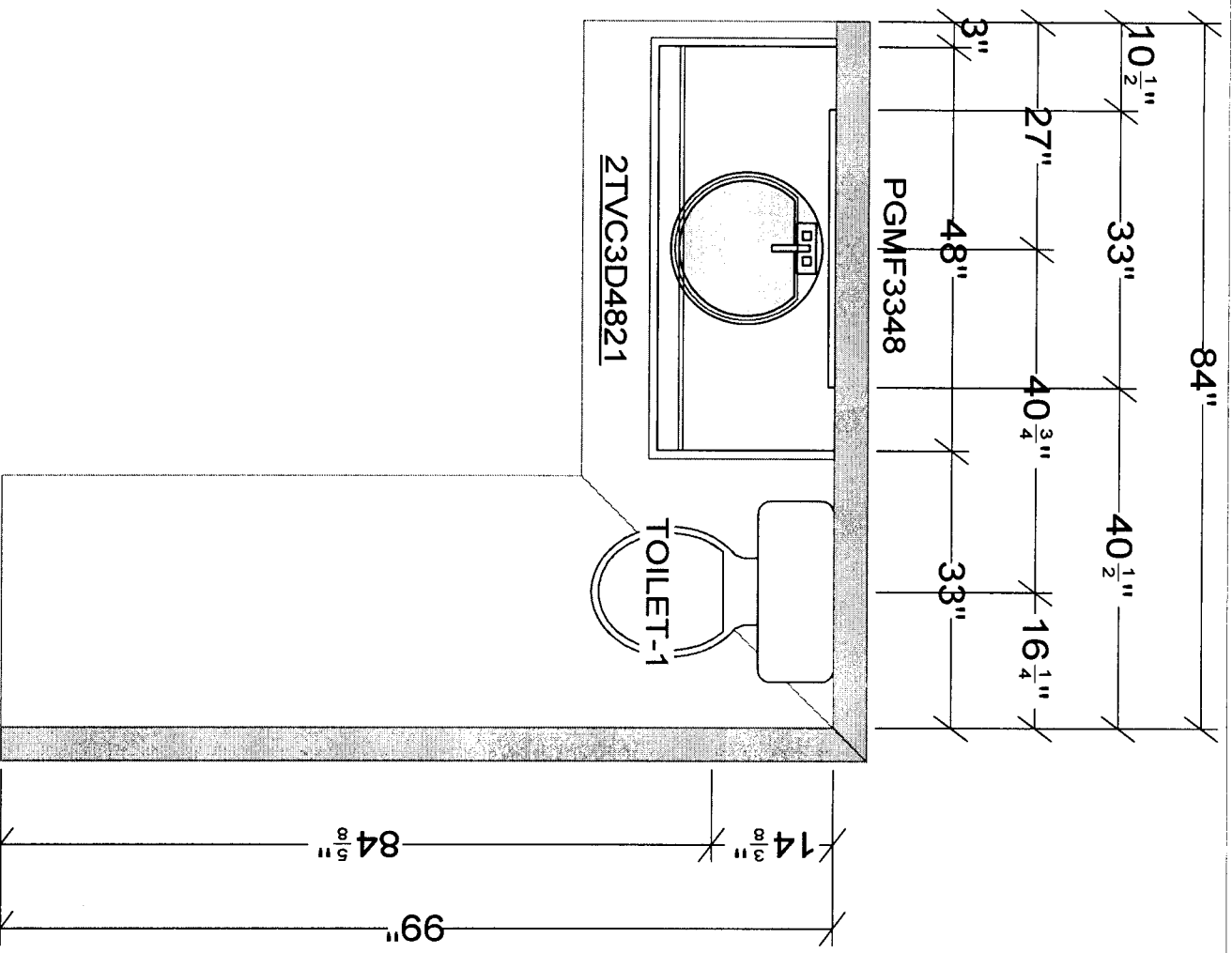
PROJECT 11647
 JOB NAME SAMMET HALL BATH
 TBT96
 FLAT96
 TUKIT
 FXS.BM

10' CEILING

** PLEASE CONFIRM ALL
 WALL DIMENSIONS **

REV 3

SHOW22



All dimensions size designations given are subject to verification on job site and adjustment to fit job conditions. ~ KM ~



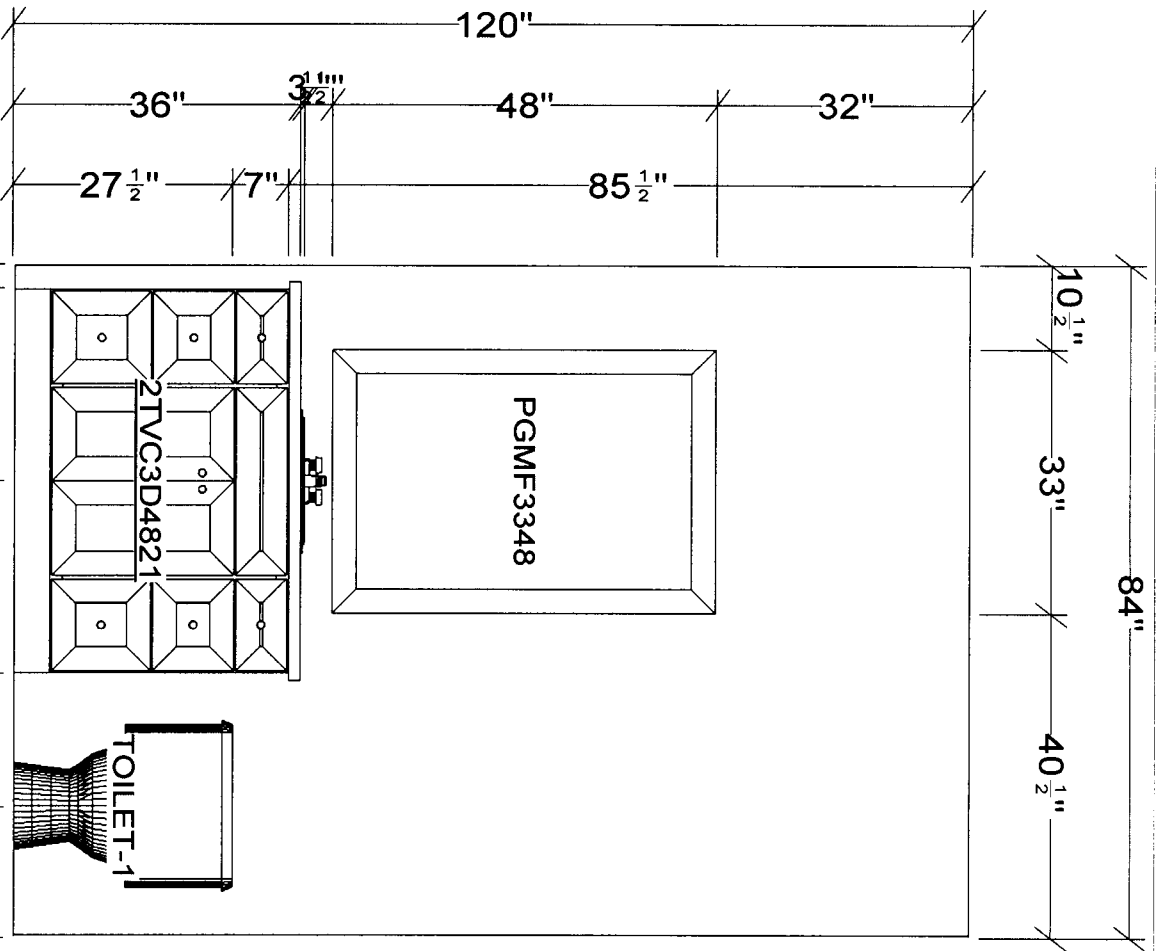
This is an original design and must not be released or copied unless applicable fee has been paid or job order placed. ~ KM ~

Designed: 10/23/2012
 Printed: 10/23/2012

SAMMET HALL BATH REV 3.kit

All

Drawing #: 1 No Scale



All dimensions size designations given are subject to verification on job site and adjustment to fit job conditions. ~ KM ~



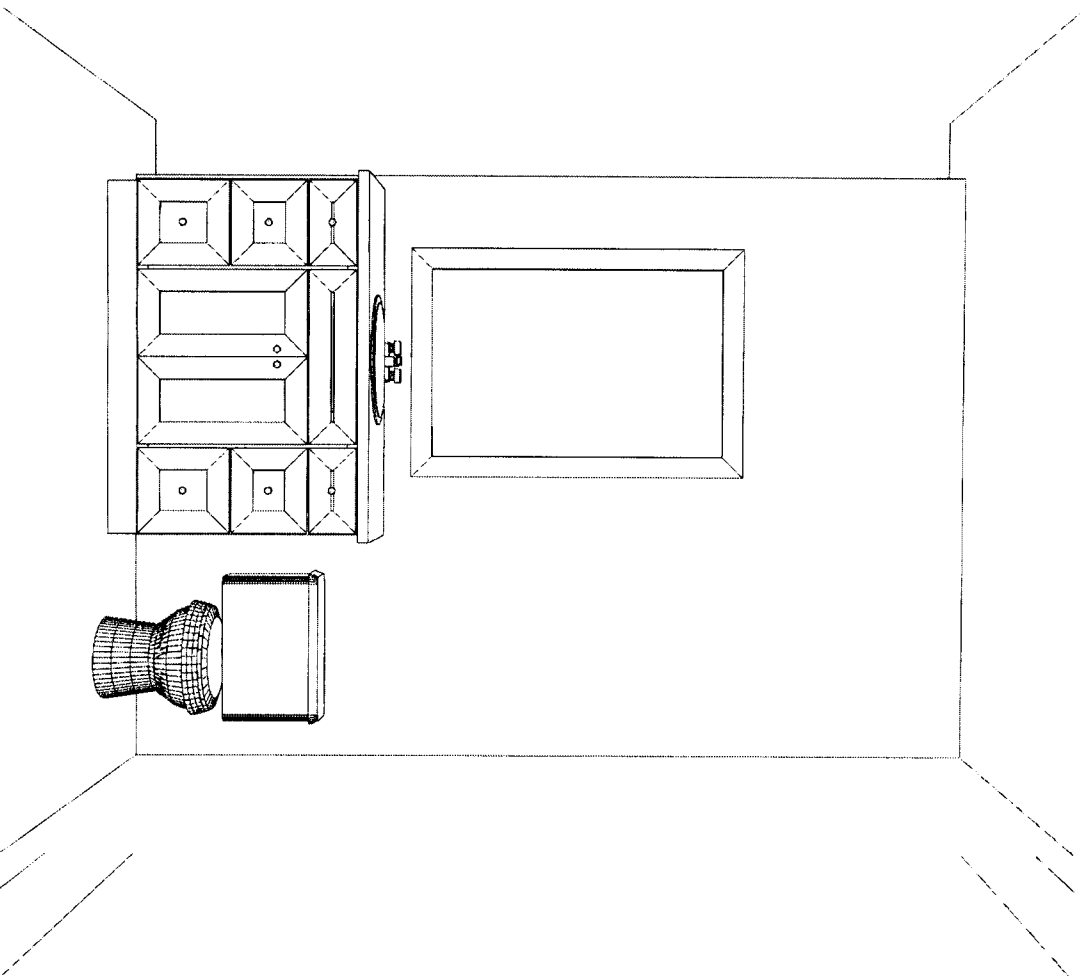
This is an original design and must not be released or copied unless applicable fee has been paid or job order placed. ~ KM ~

Designed: 10/17/2012
Printed: 10/17/2012

SAMMET HALL BATH REV 3 kit

EI 1

Drawing #: 1 No Scale.



Note: This drawing is an artistic interpretation of the general appearance of the design. It is not meant to be an exact rendition.
KM

2020
TECHNOLOGIES

Designed: 10/17/2012
Printed: 10/17/2012

SAMMET HALL BATH REV 3 kit

All

Drawing #: 1